

WPS4 PLUS

Waffle Pack Feeder

LOAD OR UNLOAD STACKS FULL OF PRODUCT WITHOUT INTERRUPTING PRODUCTION.

The **QUASYS PRODUCT** is the automation solution for waffle pack feeding. Load and unload stacks of up to 35 waffle packs without interrupting the assembly equipment.

- ✦ Dramatically increase throughput by automatically delivering trays non-stop
- ✦ Low cost of ownership
- ✦ Tray exchange in less than 5 seconds
- ✦ Compact Footprint – occupies less than 142 mm of feeder rail space
- ✦ Microprocessor controlled
- ✦ CE approved



EASILY INTEGRATE WITH YOUR MACHINE:

SMT Assembly Equipment
Singulation Equipment
Device Programmers
Test Handlers
Die Bonders
Inspection Equipment
Custom Automation

WPS4 PLUS

Waffle Pack Feeder

TECHNICAL SPECIFICATION

Capacity

35x4" Waffle Packs

Speed

Exchange < 5–7 seconds for most applications

Position Accuracy

Edge of tray repeatable to 0.05 mm

Flexibility

Microprocessor controlled
Adjustable conveyor speed

Standards Compliance

SEMI S2 & S8, NFPA 70 & 79, CE

Electrical

24 VDC \pm 10 %
2 Amps (peak), 1.0 [A] continuous

Communication Signals

dIO, RS232, RS485, Ethernet UDP and
TCP/IP, Vcom, SMEMA

Pneumatic

4.1–5.5 Bars (60–80 Psi)
28.3 Liters/Minute (1 SCFM)

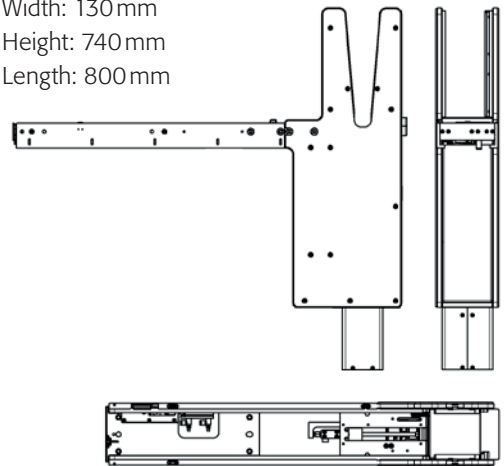
Weight

17 kg

Environment

10–35°C / 10–90 % R.H.

Feeder Width: 130 mm
Feeder Height: 740 mm
Feeder Length: 800 mm



QUASYS AG

Rothusstrasse 5a
CH-6331 Hünenberg
Switzerland
sales@quasys.ch

ASIA

Auleetech Singapore
Oliver Ackermann
+65 6247 5157
oliver.ackermann@
auleetech.com

USA EAST

trayfeeders.com
Concord NH
Neil Burt
+1 603 227 5240
info@trayfeeders.com

USA WEST

Bentleadtools
San Jose CA
Bob Santora
+1 (408) 592 5259
bob@bentleadtools.com