

JTF2 PLUS

TrayStak® Feeder

Plus Features

- Highest Feeding Stability
- Closed Loop Control Elevator/Conveyor Drive using encoded maxon motor
- Added interfaces RS485, Ethernet UDP and TCP/IP, USB Virtual COM
- Upgrade Kits available for existing Feeders
- Applicable to all Quasys Feeders
- No potentiometers
- Reverse compatible
- Footprint remains
- Swiss Made



Load or unload stacks full of product without interrupting production

The Quasys JTF2+ is the automation solution for JEDEC Tray feeding. Load and unload stacks of up to 20 thick or 30 thin JEDEC standard trays without interrupting the assembly equipment.

- Dramatically increase throughput by automatically delivering trays non-stop
- Low cost of ownership
- Tray exchange in less than 5 seconds*
- Compact Footprint - occupies less than 162 mm of feeder rail space
- Microprocessor controlled
- CE approved
- Large customer base

Easily integrate with your machine:

SMT Assembly Equipment
Singulation Equipment
Device Programmers
Test Handlers

Die Bonders
Inspection Equipment
Custom Automation



JTF2 PLUS

TrayStak® Feeder

Technical Specification

Capacity

20 thick or 30 thin JEDEC trays
(Standards 95-1 & IEC 60286-5)
Max. Stack Weight 9kg, optional 18kg
Max. Tray Weight 1000g

Speed

Tray Exchange
< 5 -7 seconds for most applications

Position Accuracy

Edge of tray repeatable to 0.05 mm

Flexibility

Microprocessor controlled
Adjustable conveyor speed
Switch selectable thick/thin
tray changeover

Standards Compliance

SEMI S2 & S8
NFPA 70 & 79
CE

Electrical

24 VDC +/- 10 %
2 Amps (peak), 1.0 [A] continuous

Communication Signals

dIO, RS232, RS485, Ethernet UDP and
TCP/IP, Vcom, SMEMA

Pneumatic

4.1 - 5.5 Bars (60 - 80 Psi)
28.3 Liters/Minute (1 SCFM)

Weight

22.7 Kg (50 lbs)

Environment

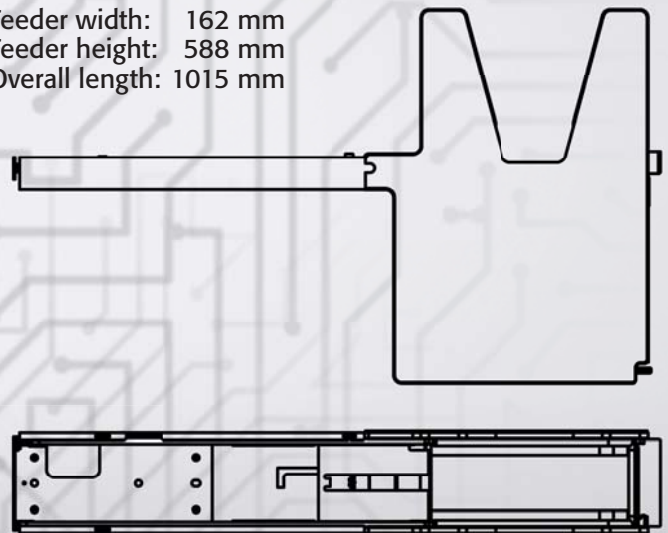
10 – 35°C / 10 – 90 % R.H.



▶ Video



Feeder width: 162 mm
Feeder height: 588 mm
Overall length: 1015 mm



QUASYS AG

Rothusstrasse 5a
CH-6331 Hünenberg
Switzerland
sales@quasys.ch

www.quasys.ch

Asia

Auleetech Singapore
Oliver Ackermann
+65 6247 5157
oliver.ackermann@
auleetech.com

USA East

trayfeeders.com
Concord NH
Neil Burt
+1 603 227 5240
info@trayfeeders.com

USA West

Bentleadtools
San Jose CA
Bob Santora
+1 (408) 592 5259
bob@bentleadtools.com